

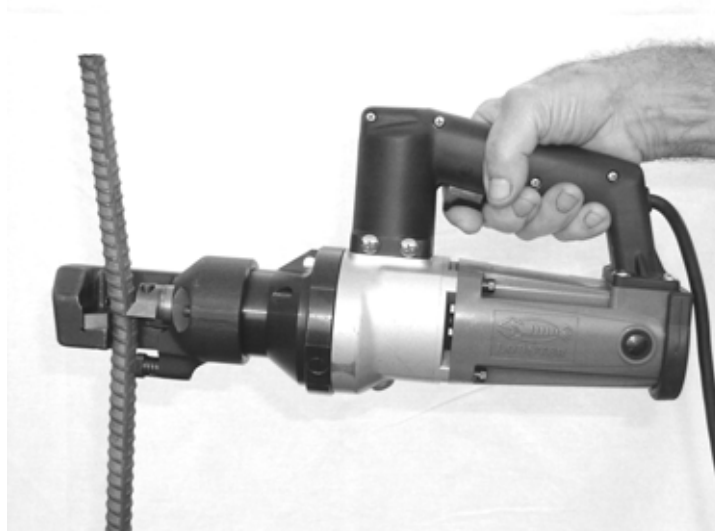


**Lobster<sup>®</sup> Tools**  
You can feel the difference

## Model EH-16PCU Electric-Hydraulic Rebar Cutter

Read safety and instructions carefully before using this tool.

**SAVE THIS OWNERS MANUAL & OPERATING INSTRUCTIONS**



Max. Cutting Capacity	#5 (5/8") - Grade 60 rebar
Voltage	110-120 Volts AC, 50/60 Hz
Power Consumption	350 Watts / 3.2 amps
Weight	13 pounds
Dimensions (L x W x H)	15½" x 3-3/4" x 7½"

### **Fascut Industries Inc.**

7248 Inama Rd., Sauk City, WI 53583  
Phone: (608)643-6678 Fax: (608)643-2682

**[www.fascut.com](http://www.fascut.com)**

Specifications and prices shown in this document are subject to change at any time. For the latest detailed information, please contact Fascut Industries.

## Safety Requirements

For your own safety and protection, do not attempt to operate this tool until it is completely assembled and installed according to the instructions... and until you read and understand all the safety requirements.

### FOR POWER TOOLS

#### **WARNING**

Indicates a potentially hazardous situation which, if not avoided, could result in death or serious injury.

**1. Always keep work area clean.**

Cluttered areas and benches invite accidents.

**2. Check work area conditions.**

Do not use the tool in a damp or wet location. Do not expose the tool to rain. Keep work area well lit.

Do not use the tool in the presence of flammable liquids or gasses.

**3. Be careful of Electric Shock.**

Do not touch the power plug using wet hands.

Always unplug the tool from outlet before maintenance or cleaning.

Do not use water or a damp cloth for cleaning.

**4. Keep children away.**

Do not let unauthorized personal handle the tool or cord.

Unauthorized personal should be kept away from the work area.

**5. Store tool properly.**

When not in use, store tool in a dry location out of children's reach.

**6. Do not use tool for purposes other than designed for.**

**7. Wear proper apparel.**

Do not wear loose clothing or jewelry that can get caught in moving parts.

Wear gloves and nonskid footwear.

Wear protective hair covering for long hair.

**8. Think Safety.**

Use goggles to comply with ANSI Z87.1. Also use a face or dust mask in dusty environments. Foresight is better than no sight.

**9. Do not abuse the electric cord.**

To reduce risk of damaging plug and cord, always pull by the plug rather than the cord when disconnecting from outlet.

Keep cord away from heat, oil and sharp edges.

Make sure cord is located so it will not be stepped on, tripped over, or otherwise subjected to damage or stress.

**10. Do not over reach.**

Keep proper footing and balance at all times.

**11. Maintain tool with care.**

If the electric cord of the tool is damaged, replace immediately.

Keep tool dry, clean and free from oil and grease.

**12. In the following circumstances, unplug the tool from the outlet.**

When servicing or when not in use.

When changing accessories such as cutting blades etc.

When any other dangers can be anticipated.

### **13. Avoid unintentional starting.**

Do not carry the tool with finger on the switch.

Be sure switch is off when plugging in.

Use switch lock behind trigger switch when not in use.

### **14. Avoid using an extension cord.**

An extension cord should not be used unless absolutely necessary.

Use of an improper extension cord could result in a risk of fire and electric shock.

If an extension cord must be used, make sure the cord is properly wired, has a wire size that is large enough for the amperage rating of the tool, and is in good electrical condition.

### **15. Always keep alert.**

Do not allow familiarity gained by frequent and long use cause a careless mistake.

Always remember that a careless fraction of a second is enough to inflict severe injury.

Watch what you are doing. Use common sense.

Do not operate the tool when you are tired or under the influence of drugs or alcohol.

### **16. Check for damaged parts.**

Before use of the tool, check for any damaged parts. Carefully determine that all parts operate properly.

### **17. Use only accessories and attachments that come with this tool.**

Use of accessories or attachments not listed in this manual may result in a risk of accident such as fire, electric shock or personal injury.

### **18. Return tool to Fascut Industries for repair.**

Other than the remedies shown in the Trouble Shooting table, do not attempt to disassemble or repair the tool.

Do not modify the tool. Any modifications will void the warranty and may cause a hazardous situation.

## **FOR ELECTRO-HYDRAULIC REBAR CUTTERS**

### **WARNING**

Indicates a potentially hazardous situation which, if not avoided, could result in death or serious injury.

1. Tool should only be plugged into a power supply that satisfies the power rating as indicated on the tool.
2. Never touch the blades and piston during operation.
3. Make it a habit to check that the cutting blades are securely tightened before operation.
4. Unplug the tool from outlet before starting any maintenance.
5. Never operate the tool before confirming the **DANGEROUS ZONE** as shown in the **Operation Procedure** section of this manual.  
Do not point the cutting head towards any person when operating.  
Cut pieces may fly off with tremendous force and are dangerous.  
Avoid cutting off small or short pieces of material.
6. Do not attempt to cut material with a size and/or hardness exceeding the maximum cutting capacity.
7. When working in high places, check to make certain no person is under you. Serious injury could result from dropped rebar pieces.
8. If the tool makes an abnormal sound during operation, discontinue use immediately. Return the tool to Fascut Industries for repair.

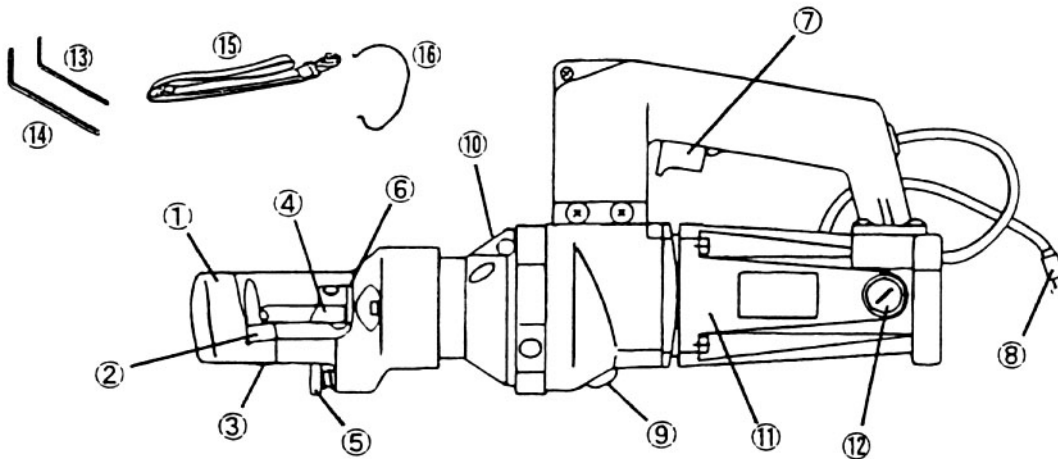
- 9. Do not add hydraulic oil if the tool is warm or immediately after heavy duty operation. Oil will be under a slight pressure when tool is warm.
- 10. Avoid skin contact, eye contact and inhalation or ingestion of hydraulic oil.
- 11. Handle tool with care.

This rebar cutter is composed of many precision parts, so do not drop or handle roughly. If the tool has been dropped or has received a sharp blow or otherwise damaged in any way, send it to Fascut Industries for repair.

- 12. Never operate the tool resting upright on its motor.
- 13. Be sure to hold the tool tightly during operation.

## Parts Identification

- |                          |                       |                     |
|--------------------------|-----------------------|---------------------|
| 1 – Cutter Head          | 7 – Trigger Switch    | 13 – M4 Hex Key     |
| 2 – Fixed cutting blade  | 8 – Power cord & plug | 14 – M5 Hex Key     |
| 3 – M4 Cap screw         | 9 – Oil cap           | 15 – Shoulder Strap |
| 4 – Moving cutting blade | 10 – Release Valve    | 16 – Spring Plate   |
| 5 – Adjusting screw      | 11 – Motor            |                     |
| 6 – Piston               | 12 – Brush Cap        |                     |



## Check Points for Operation

### #1 – Safe Work Area Environment?

Using this power tool in rain or a wet location may result in a risk of electric shock.

Never use this power tool in the presence of flammable liquids or gases. As with all power tools, sparks are generated and can be very dangerous.



### #2 - Are Cutting Blades sharp and tight?

Make it a habit to double check that the cutting blades are sharp and securely tightened before operation. Tighten blade securing bolts if they are loose. Be sure to unplug the tool before servicing.

### #3 - Is the electrical power supply correct?

Use this tool only with a power supply that meets the rating indicated on the tool.

### #4 - Using an extension cord?

An extension cord should not be used unless absolutely necessary.

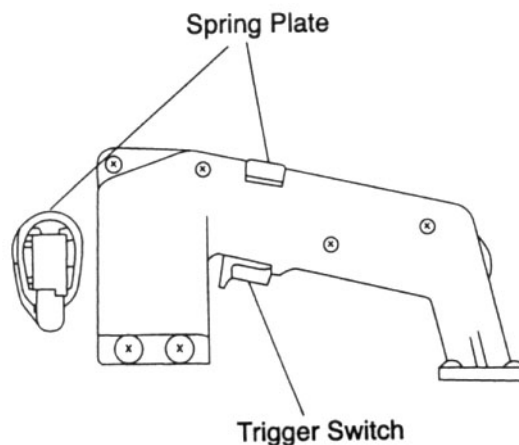
Use of an improper extension cord could result in a risk of fire and electric shock.

If an extension cord must be used, make sure the cord is properly wired, has a wire size that is large enough for the amperage rating of the tool, and is in good electrical condition.

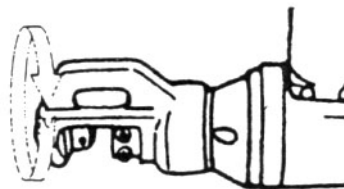
AWG Size of Cord	16	14
Max Length of Cord	25 feet	50 feet

## Operation Procedure

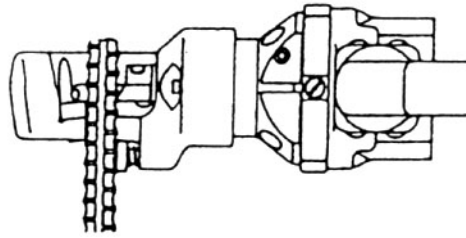
1. Below 32°F, the movement of the cutting blade will be slow and sluggish. Keep the tool in a warm room at 60° or above for about one hour before use. An alternative is to carry out a warming up procedure. To do this, use the Spring Plate (part #16) to continuously run the tool for about 5 minutes without making any cuts. During this time keep unauthorized persons away from the tool. Never use the spring plate for continuous cutting operation.



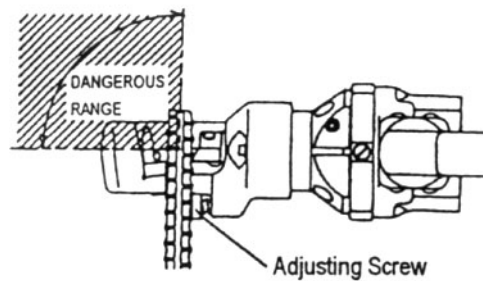
2. Adjust the swivel head to the most convenient operating position.  
(Max. turning angle is 180°clockwise)



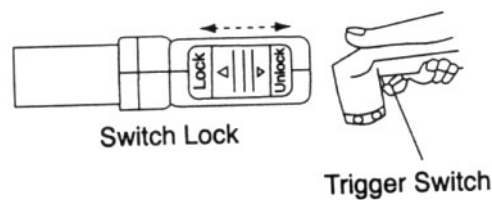
3. Position the rebar to be cut at a right angle to the tool head and secure by adjusting the adjusting screw. This will hold the rebar at a right angle to the cutting direction.



4. Confirm where the dangerous range is. Cut pieces may fly off with tremendous force within the dangerous range as shown. Operate only after confirming that no one is located in the area of the dangerous range. Avoid cutting material too short.



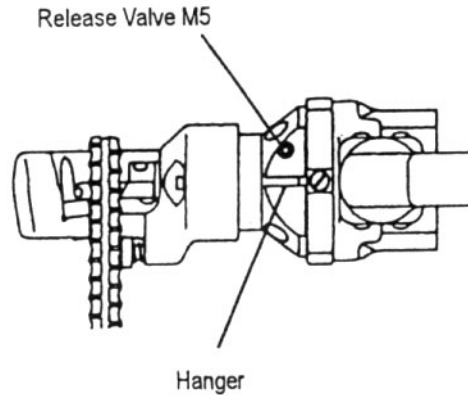
5. Unlock the switch lock if it is locked. Hold the tool firmly and press the trigger switch. The moving cutting blade will advance to cut the rebar.



6. The moving cutting blade will automatically retract once fully extended. Release the trigger switch after fully extended and the moving blade will return to the starting position. The tool is now ready for the next cut.

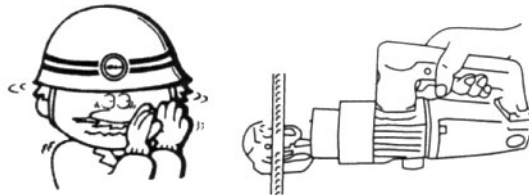
## Emergency Manual Release

For emergency reasons, it may become necessary to manually retract the moving cutting blade. To do this, loosen the Release Valve no more than  $\frac{1}{4}$  turn using the M5 Hex Key Wrench. The moving blade will return to its starting position. Securely retighten the valve.

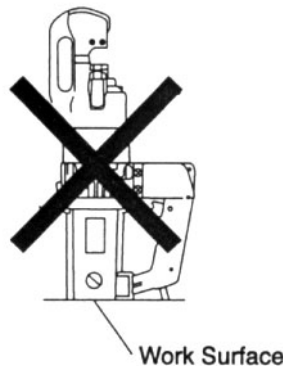


## Strictly avoid the following:

1. Do not point the head towards any person during operation. Do not touch the blades during operation. Do not cut materials too short. Do not cut materials having a hardness exceeding the maximum cutting capacity.

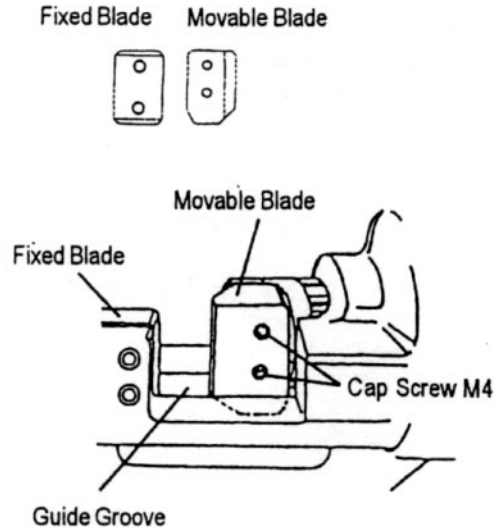


2. Do not operate or rest the tool upright on a work surface. The tool can easily fall over and result in injury or tool damage. Blocking motor fan can result in overheating of the motor.



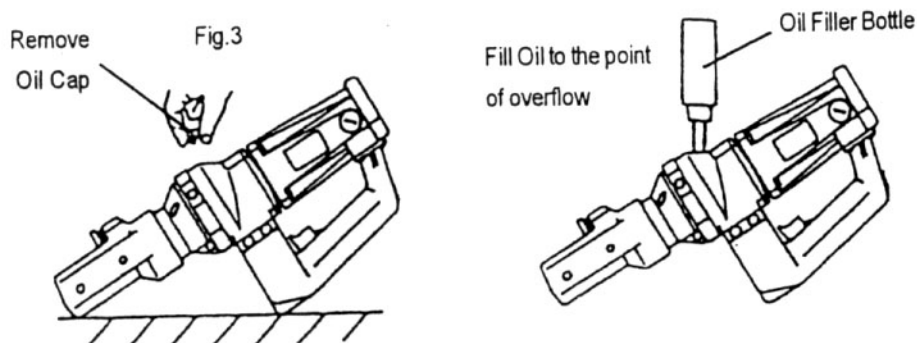
## Maintenance

1. Changing the blades. If a blade is dull or damaged, immediately replace with a new blade. Cutting with dull or loose blades **WILL** damage the tool. Unplug the tool before starting maintenance of any kind.



2. Check the length of the carbon brushes every six months. Unplug the tool and loosen the brush caps using a screw driver. Replace if worn to less than  $\frac{1}{4}$ " long. Sparks will be generated and the motor will be damaged if operated with bad carbon brushes.
3. Check the oil every six months. **Only use hydraulic oil with a VG 22 weight rating.** If not available in your area, order from Fascut Industries.
  - a. Make certain moving cutting blade is fully retracted.
  - b. Unplug the tool and position so the oil cap faces upward. (see Fig.3)
  - c. Remove the oil cap using an M8 Hex Key Wrench.
  - d. Fill the oil to the point of over flow.
  - e. Replace oil cap and tighten.

**Caution** – Care should be taken to prevent hydraulic oil from entering the motor housing.





## Storage Method

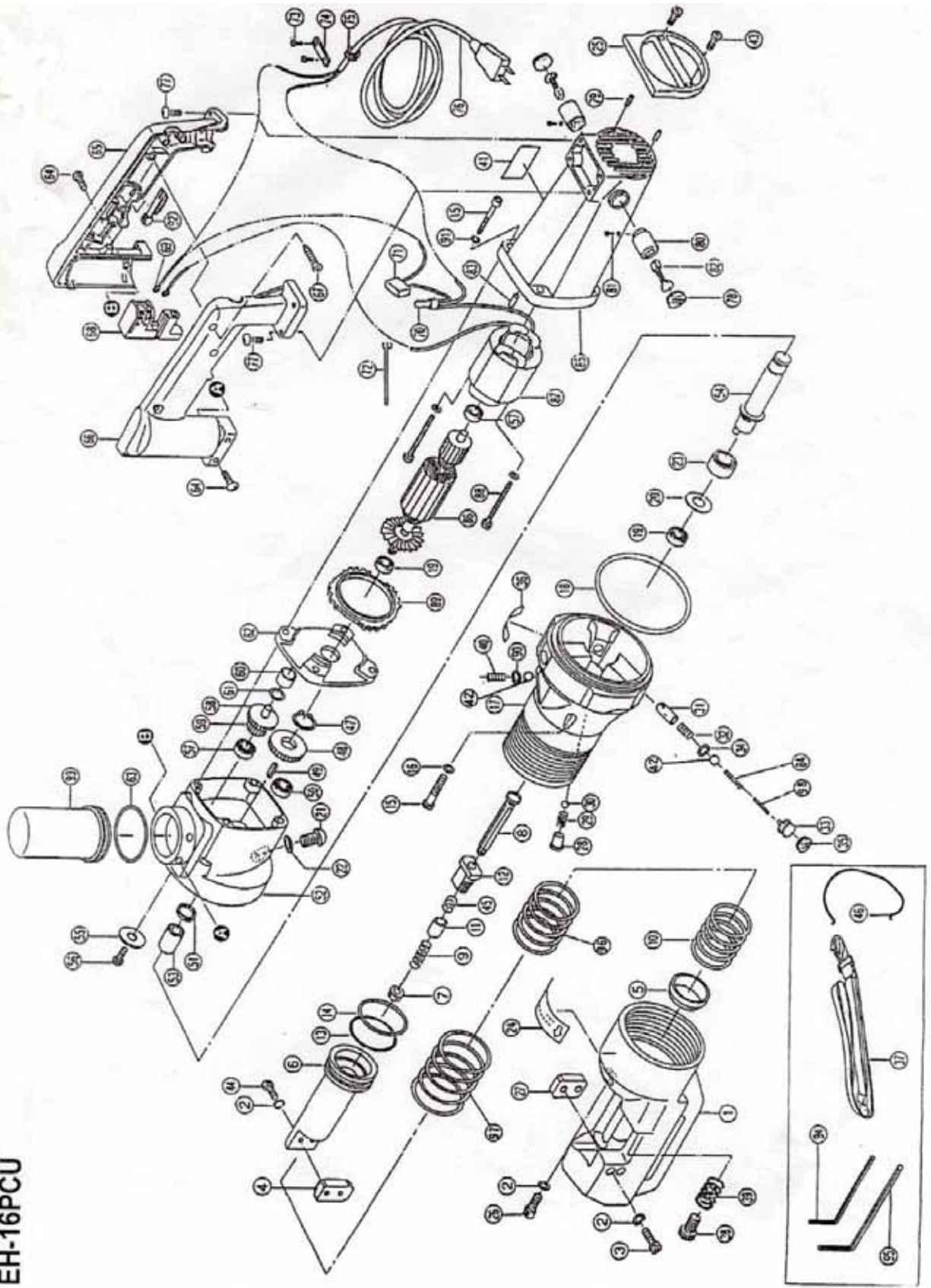
The tool should be stored in a dry, high or locked up place out of reach of children. Clean prior to long term storage. Coat metal parts with a rust inhibitor.

## Trouble Shooting

If the remedy listed below does not solve the problem, the tool **MUST** be returned to Fascut Industries for service. This tool requires special tools and training to disassemble. Disassembly of tool by unauthorized personal will void the warranty.

<b>TROUBLE</b>	<b>PROBABLE CAUSE</b>	<b>REMEDY</b>
Motor will not start.	<ol style="list-style-type: none"><li>1. No power to unit.</li><li>2. Power cord or plug damaged.</li><li>3. Trigger switch bad.</li><li>4. Carbon brushes worn or damaged.</li></ol>	<ol style="list-style-type: none"><li>1. Check supply cord, fuses or circuit breaker.</li><li>2. Replace power cord.</li><li>3. Replace trigger switch.</li><li>4. Replace carbon brushes.</li></ol>
Moving blade does not return to the starting position.	<ol style="list-style-type: none"><li>1. Moving blade has not reached fully extended position.</li><li>2. Chip contaminants are jammed in the blade area.</li><li>3. Moving blade is broken or damaged.</li><li>4. Oil piston is bent.</li></ol>	<ol style="list-style-type: none"><li>1. Pull trigger again until fully extended; then release trigger.</li><li>2. Remove blades and clean the blade area and blade sockets.</li><li>3. Replace moving blade.</li><li>4. Send back to Fascut Industries for repair.</li></ol>
No power to cut.	<ol style="list-style-type: none"><li>1. Emergency release valve is open.</li><li>2. Moving blade is not fully returning to starting position.</li></ol>	<ol style="list-style-type: none"><li>1. Close the emergency release valve.</li><li>2. See trouble remedies listed above.</li></ol>
Cutting speed is slow.	<ol style="list-style-type: none"><li>1. Emergency release valve is open.</li><li>2. Hydraulic oil is too hot.</li></ol>	<ol style="list-style-type: none"><li>1. Close the emergency release valve.</li><li>2. Stop using tool. Allow it to cool down.</li></ol>

EH-16PCU



## Lobster EH-16PCU and EH-13PCU

Fascut Industries Inc.

Sept. 1, 2012

Index #	Description	Code	Price Ea.	Qty. Req.
1	Cutter Head, 16PCU	26035	\$511.50	1
1.1	Cutter Head, 13PCU	26052	\$405.90	1
2	Washer, Spring Lock, M4	16275	\$0.15	5
3	Screw, Socket Head Cap, M4x18	23592	\$0.40	2
4	Cutting Blade, Moving w/bolts & washers	26042	\$32.50	1
5	Dust Seal	22394	\$12.30	1
6	Oil Piston (only)	26048	\$78.40	1
6.1	Return Valve, 16PCU (#7,8,9,11,12,45)	26070	76.70	1
6.2	Return Valve, 13PCU (#7,8,9,11,12,45,42.1)	26071	81.70	1
7	Hex Nut w/flange, M6	22858	\$0.30	1
8	Valve Shaft	22420	\$39.60	1
9	Spring, Valve (A)	22413	\$3.60	1
10	Spring, Returning, small	27972	\$5.70	1
11	Collar	22386	\$11.10	1
12	Guide	22406	\$16.40	1
13	Backup Ring, P-39	12380	\$2.10	1
14	O-ring Seal, P-39	12379	\$0.50	1
15	Screw, Socket Head Cap, M5x35	20355	\$0.60	7
16	Washer, Sealing	20356	\$2.70	6
17	Pump Frame (frame only), 16PCU	27827	\$1,063.20	1
17.1	Pump Frame (frame only), 13PCU	22377	\$1,063.20	1
18	O-ring, frame body, S-80	20354	\$3.60	1
19	Bearing, Ball, 608ZZ	24294	\$12.18	1
20	Washer	23606	\$1.20	1
21	Screw, Hex Socket Button Head, M10x16	20362	\$2.40	1
22	Washer, Sealing	25591	\$4.80	1
23	Bearing, Needle	20353	\$34.88	1
24	Label (adjust screw)	26062	\$3.30	1
25	Motor Back Cover	22385	\$26.10	1
26	Screw, Socket Head Cap, M4x10, 16PCU	22421	\$0.30	1
26.1	Screw, Socket Head Cap, M4x12, 13PCU	28979	\$0.30	1
27	Cutting Blade, Fixed w/bolts & washers	26045	\$32.50	1
28	Exhaust Spring Retainer	12432	\$11.70	3
29	Spring, Exhaust, #060681 up and #030661 up	27838	\$0.90	3
29.1	Spring, Exhaust, #060651 – 060680 and #030651 – 030660	12431	\$0.90	3
30	Steel Ball, 4.8 mm (3/16)	12360	\$0.15	1
31	Plunger (S) (choose best fit), 16PCU	27829	\$19.80	3
31.1	Plunger (L) (choose best fit), 16PCU	27830	\$19.80	3
31.2	Plunger #030651-030660 / #060651-060680	20357	\$19.80	3
32	Spring, Plunger	20358	\$4.80	3

33	Cylinder Cap, 16PCU, #060681 and up	27833	\$6.00	3
33.1	Cylinder Cap, 13PCU and #060651 - 060680	20360	\$4.80	3
34	O-ring, Cylinder Cap, P-5	12120	\$0.35	3
35	Head Cap	20359	\$8.70	3
36	Label, Max #5, 16PCU	26063	\$2.40	1
36.1	Label, Max #4, 13PCU	26067	\$2.40	1
37	Shoulder Strap	20392	\$18.80	1
38	Screw, Adjust	22379	\$10.80	1
39	Spring, Adjust Screw, 16PCU	22591	\$3.90	1
39.1	Spring, Adjust Screw, 13PCU	23587	\$3.90	1
40	Relief Valve Screw, 16PCU, #060681 and up	28044	\$9.30	1
40.1	Relief Valve Screw, M5x8, 13PCU and #060651 - 060680	22408	\$0.30	1
41	Label, Main Name Plate, 16PCU	26670	\$2.70	1
41.1	Label, Main Name Plate, 13PCU	26701	\$2.70	1
42	Steel Ball, 3mm, 16PCU, #060681 and up	12355	\$0.35	1
42.1	Valve spacer, 13PCU	28043	\$5.00	1
43	Screw, Phillips Head Tapping, M4x10	24317	\$0.25	2
44	Screw, Socket Head Cap, M4x14	22862	\$0.30	2
45	Spring, Valve (B)	28028	\$5.70	1
46	Trigger Switch Spring Plate	26698	\$8.10	1
47	Axis Retaining Ring, STW-13	24295	\$0.74	1
48	No. 4 Gear	24296	\$41.50	1
49	Key	24297	\$18.05	1
50	Bearing, Ball, 6082ZZ	24298	\$38.54	1
51	Oil Seal	24299	\$13.50	1
52	Oil Tank Case Housing	24300	\$296.00	1
53	Bearing, Needle	24301	\$53.20	1
54	Spindle, 1.9, 16PCU, #060681 and up	28042	\$94.00	1
54.1	Spindle, 2.5, 13PCU and #060651 - 060680	24302	\$94.00	1
55	Magnet	24303	\$6.60	3
56	Screw, Flat Head Phillips, M4x8	24304	\$0.20	3
57	Bearing, Ball, 626ZZ	24305	\$32.58	1
58	No. 2 Gear, (see item #99)	xxx	\$0.00	
59	No. 3 Gear, (see item #99)	xxx	\$0.00	
60	Bearing, Oil impregnated Sintered	24541	\$6.30	1
61	Washer	24309	\$0.30	1
62	Bearing Bracket, (see item #100)	xxx	\$0.00	
63	O-ring, Oil Tank, P-34	24311	\$0.90	1
64	Screw, Phillips Head, M5x20	24312	\$0.30	4
65	Switch Handle (R)	27915	\$34.90	1
66	Switch Handle (L)	27916	\$34.90	1
67	Screw, Phillips Head Tapping, M4x20	24313	\$0.25	4
68	Trigger Switch	22917	\$29.76	1
69	Wire Terminal	24314	\$0.30	2
70	Insulated Closed-end Connector	24315	\$0.60	1

71	Condenser	12843	\$11.10	1
72	Cable Tie	24316	\$0.30	1
73	Screw, Phillips Head Tapping, M4x10	24317	\$0.25	2
74	Cord Securing Bracket	24318	\$2.40	1
75	Rubber Grommet	24319	\$3.30	1
76	Power Cord	24320	\$11.22	1
77	Screw, Phillips Head Tapping, M5x16	24321	\$0.80	4
78	Carbon Brush Cap	12879	\$2.85	2
79	Screw, Socket Set, M4x6	12884	\$0.25	2
80	Carbon Brush Holder, (see item #85)	xxx	\$0.00	
81	Screw, Phillips Head, M3x4, (see item #85)	xxx	\$0.00	
82	Carbon Brush	12880	\$8.40	2
83	Rubber Pin	24322	\$1.50	1
84	Spring, Intake Valve, 16PCU, #060681 and up	27831	\$1.20	3
84.1	No index #84 on all 13PCUs or 16PCUs, #060651 - 060680	xxx	\$0.00	
85	Motor Housing Unit, includes #79, #80, & #81	24292	\$104.00	1
86	Armature, 120-volts	29022	\$395.00	1
87	Stator, 120-volts	29023	\$150.00	1
88	Screw, Phillips Head, M4x60	24326	\$1.30	2
89	Fan Guide	24293	\$11.40	1
90	O-ring, relief valve, P-4, 16PCU, #060681 up	10454	\$0.35	1
90.1	No index #90 on 13PCU or #060651 - 060680	xxx	\$0.00	
91	Washer, Spring Lock, M5	24328	\$0.20	4
92	Trigger Switch Stopper	26072	\$4.80	1
93	Oil Tank	20349	\$17.93	1
94	Wrench, Hex Key, 4mm	22872	\$1.20	1
95	Wrench, Hex Key, 5mm	25777	\$1.53	1
96	Spring, Returning, medium	27973	\$6.00	1
97	Spring, Returning, large	27974	\$6.00	1
98	Pin, Spring, 1.4x10, 16PCU	27832	\$0.30	3
99	Gear Unit, includes #58 & #59	24308	\$124.00	1
100	Bearing Bracket Unit, includes #60 & #62	24291	\$170.00	1
101	Oil, 12-oz ISO-22, 16PCU, #060681 & up	Oil22	\$9.00	
101.1	Oil, 12-oz ISO-46, 13PCU, #030661 & up	Oil46	\$9.00	
101.2	Oil, 12-oz ISO-100, 16PCU #060651 - 060680 13PCU #030651 - 030660	Oil100	\$9.00	